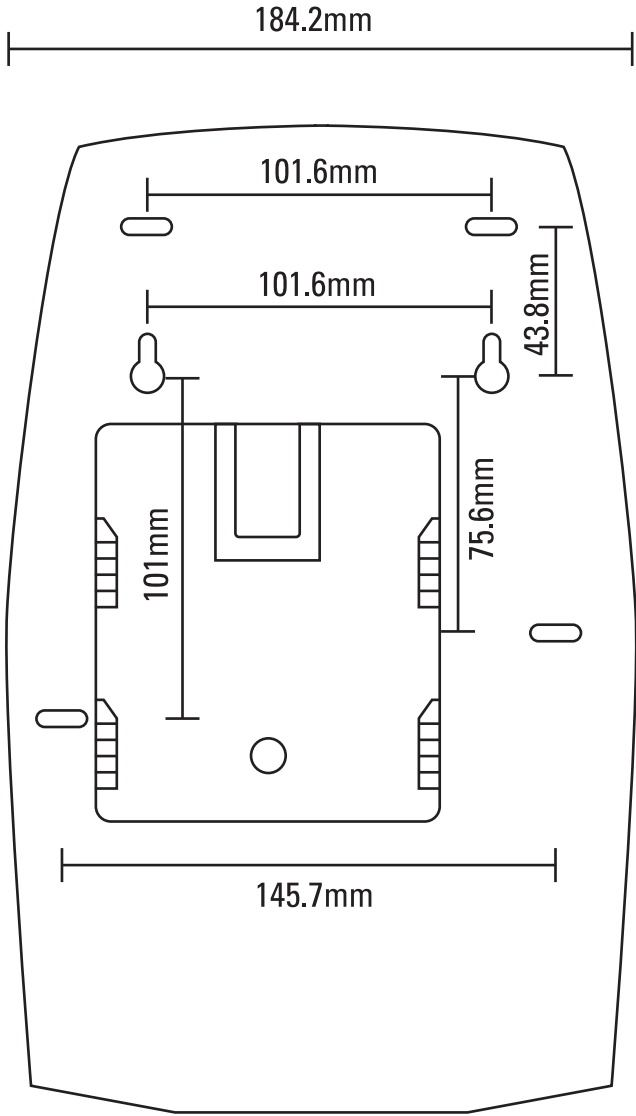
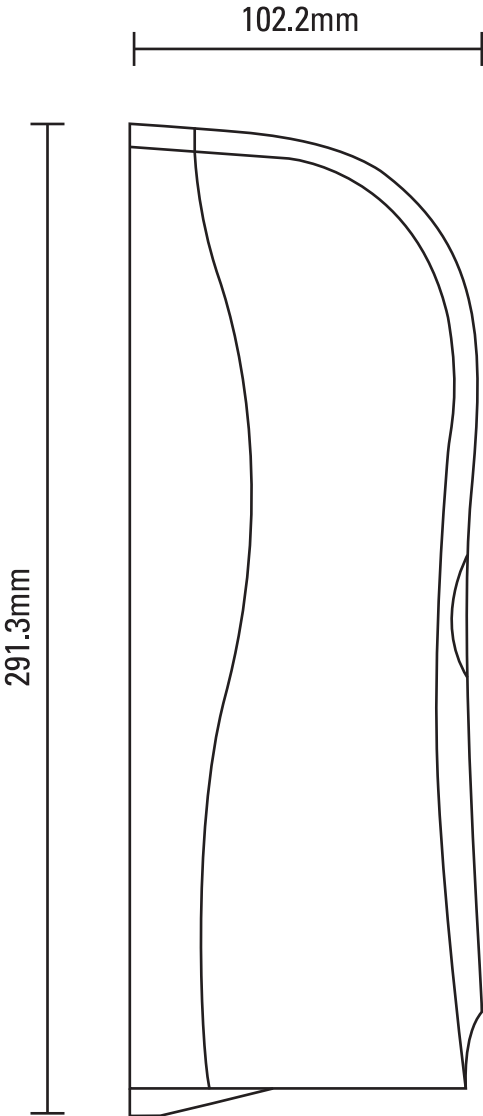
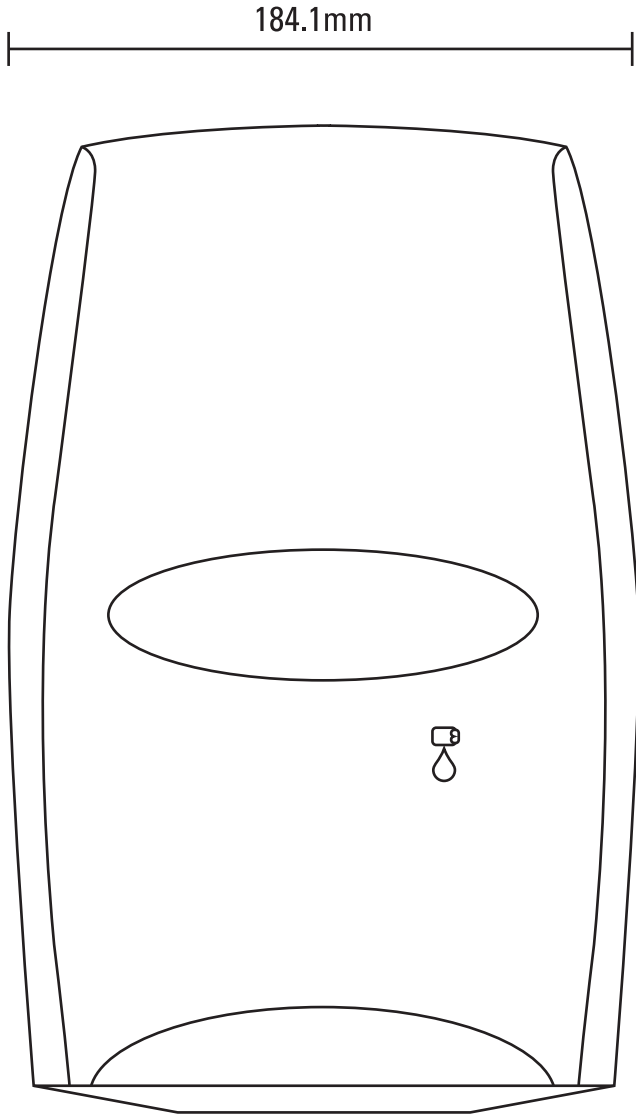


**Code: 11329** Electronic Cassette Skin Care Dispenser



Suits KLEENEX® codes  
91591, 91594, 91590.