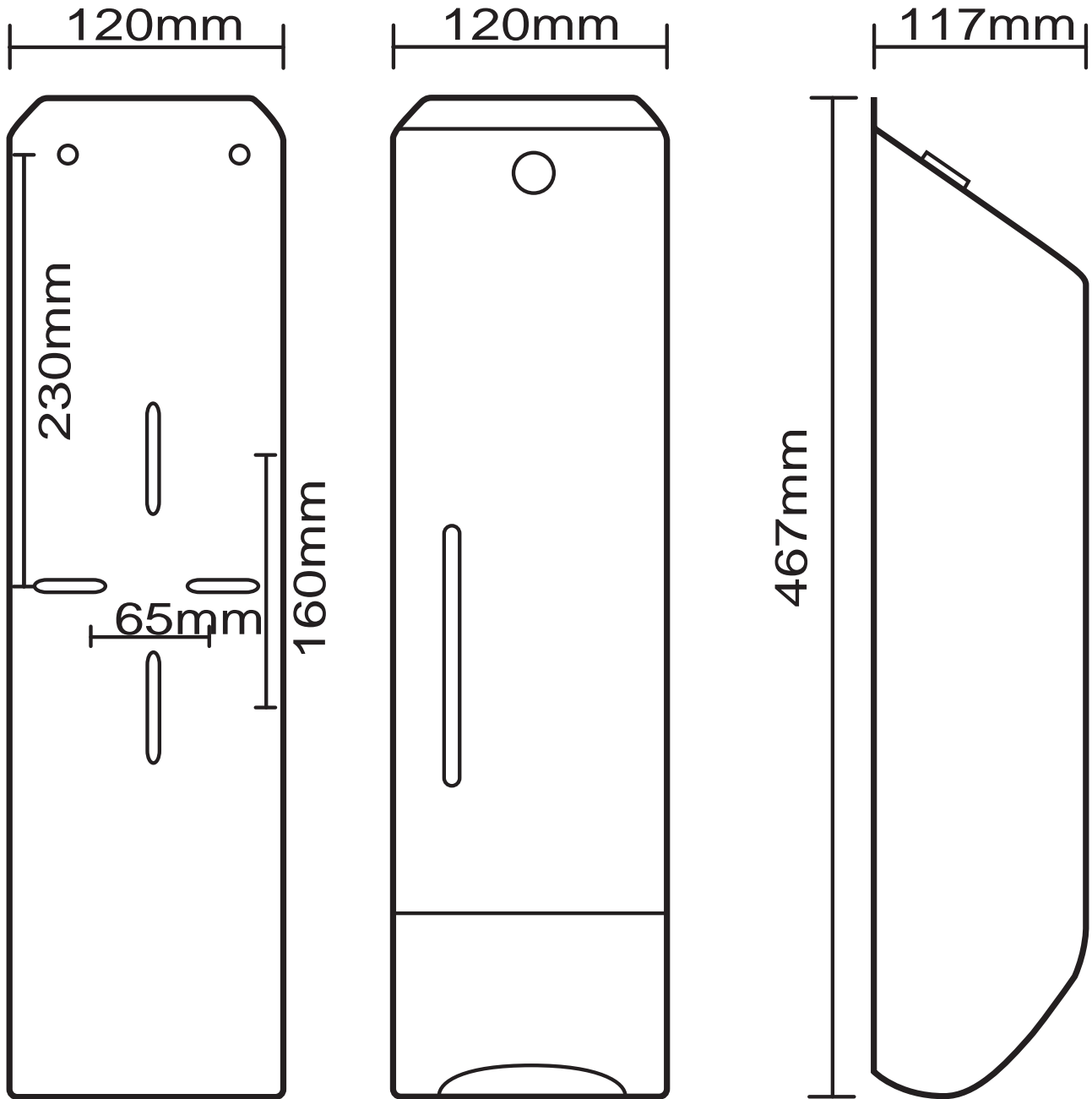


**Code: 4404** Soft Interleaved Toilet Tissue Dispenser



Suits KLEENEX® code 4322, SCOTT® code 4321.