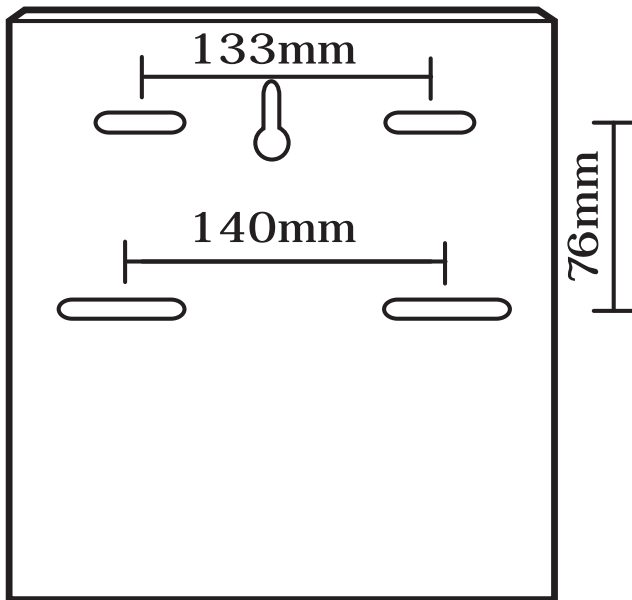
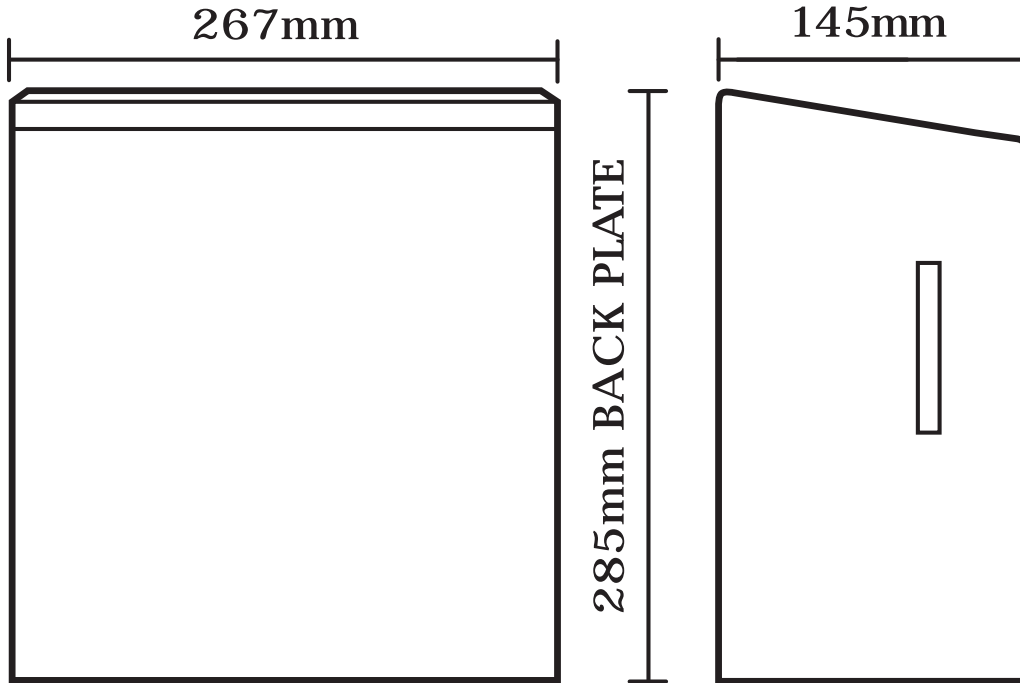


Code: 4943 Interfold Towel Dispenser



Suits COSTSAVER® code 4448.