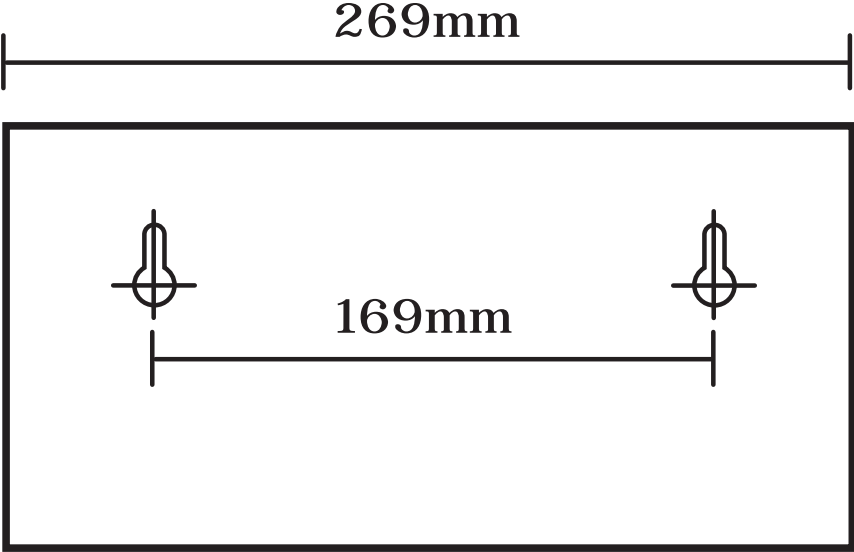
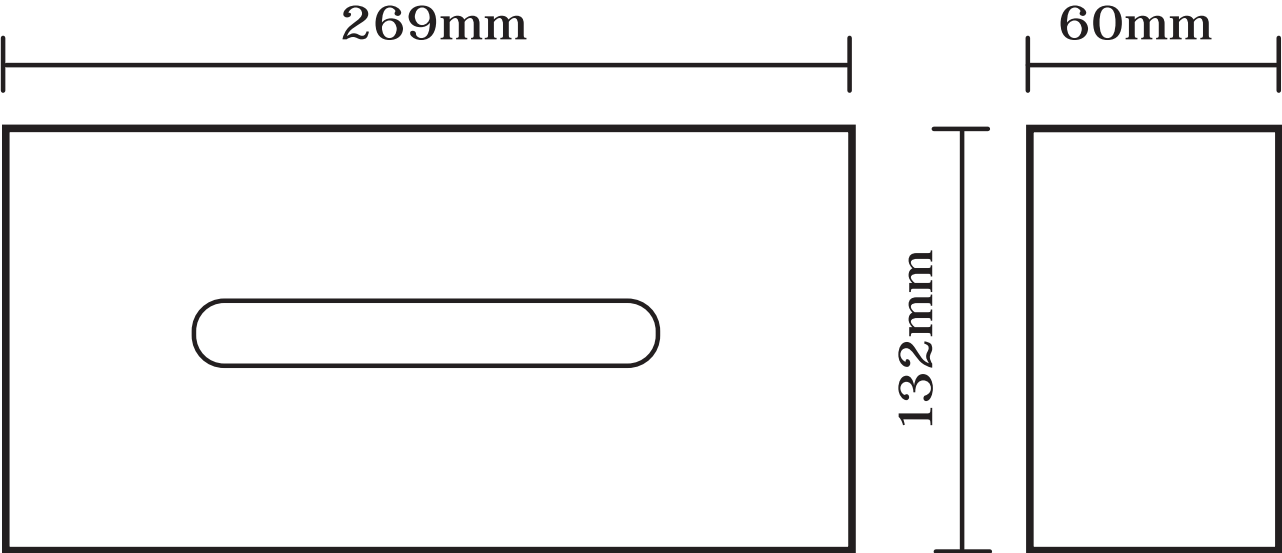


**Code: 4993 Facial Tissue Dispenser**



Suits KLEENEX® code 4720, SCOTT® code 4725.